

# AQUA™ SERIES



## AQUA™ -RGB-15/30/60

AQUA™ -RGB-15, AQUA™ -RGB-30 and AQUA™ -RGB-60 lamps are IP68 rated and are suitable for pool lighting.

### AQUA™ -RGB-15/30/60

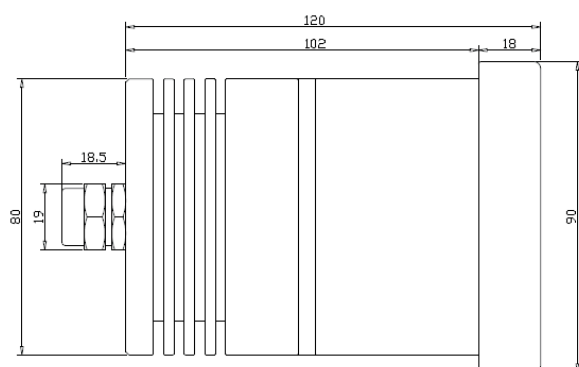
#### Features

- LED packaged lamp 15W/30W/60W x 1 (multiple RGB chips)
- High luminous intensity output
- Min. 70% lumen maintenance after 35,000 hours
- Higher energy efficiency than incandescent or halogen lamps
- Cool beam (no UV or thermal radiation)

#### SPECIFICATIONS

| Model:                   | AQUA-RGB-60                          | AQUA-RGB-30                | AQUA-RGB-15             |
|--------------------------|--------------------------------------|----------------------------|-------------------------|
| Electrical:              |                                      |                            |                         |
| Voltage:                 | 24V                                  | 12V                        | 12V                     |
| Input Wiring:            | R.G.B.V+                             |                            |                         |
| Current:                 | 2.4A                                 | 2.4A                       | 1.2A                    |
| Power Consumption:       | 60W                                  | 30W                        | 15W                     |
| Beam Angle:              | 60°                                  |                            |                         |
| Protection:              | IP68                                 |                            |                         |
| Housing:                 |                                      |                            |                         |
| Body:                    | Aluminum alloy                       |                            |                         |
| Diffuser:                | Tempered, cold, heat-resistant glass |                            |                         |
| Finish:                  | Black Powder Coating                 |                            |                         |
| Dimensions:              | 90 mm (Dia.) x 120 mm (H)            | 63.5 mm (Dia.) x 95 mm (H) | 50mm (Dia.) x 65 mm (H) |
| Weight:                  | 1,517 g                              | 627 g                      | 236 g                   |
| Connecting Cable Length: | 5 meters (15 ft.)                    |                            |                         |

#### DIMENSIONS



AQUA™ -RGB-60

mm

Ver: 20090622

**ColorStars Group**

#### Taiwan Operations: Color Stars, Inc.

10F, No. 566 Jung Jeng Rd. Sindian City  
Taipei County 231, Taiwan, R.O.C.

Tel: +886-2-8667-6600 Fax: +886-2-8667-1400

Email: sales@colorstars.com Website: www.colorstars.com

#### Headquarters: ColorStars Group

One Technology Dr., Suite F-213  
Irvine, CA 92618 USA

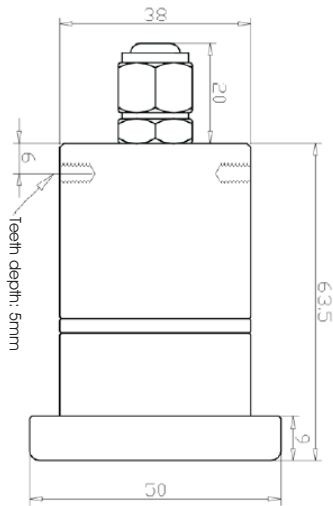
Tel: + (949) 336-6161; Fax: + (949) 336-6165

Email: sales@colorstars.com; Website: www.colorstars.com

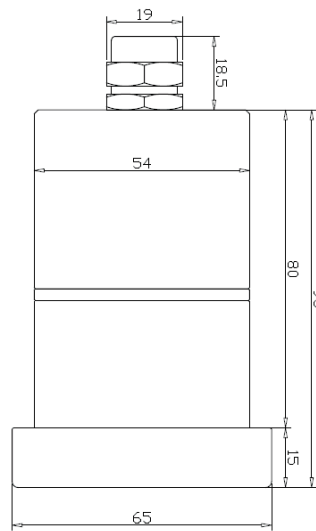
# AQUA™ SERIES

## AQUA™ -RGB-15/30/60

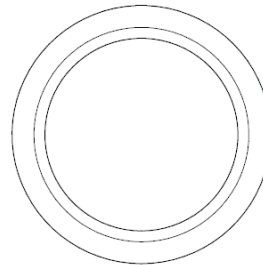
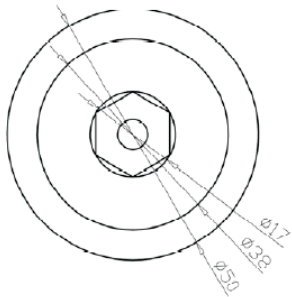
### DIMENSIONS



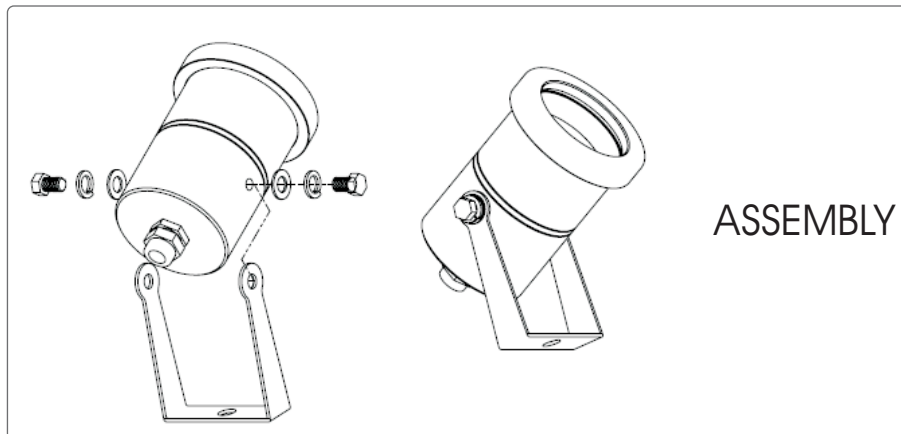
AQUA™ -RGB-15



AQUA™ -RGB-30



Unit: mm



**Taiwan Operations:**  
**Color Stars, Inc.**  
10F, No. 566 Jung Jeng Rd. Sindian City  
Taipei County 231, Taiwan, R.O.C.  
Tel: +886-2-8667-6600 Fax: +886-2-8667-1400  
Email: sales@colorstars.com Website: www.colorstars.com

**ColorStars Group**

**Headquarters:**  
**ColorStars Group**  
One Technology Dr., Suite F-213  
Irvine, CA 92618 USA  
Tel: +(949) 336-6161; Fax: +(949) 336-6165  
Email: sales@colorstars.com; Website: www.colorstars.com